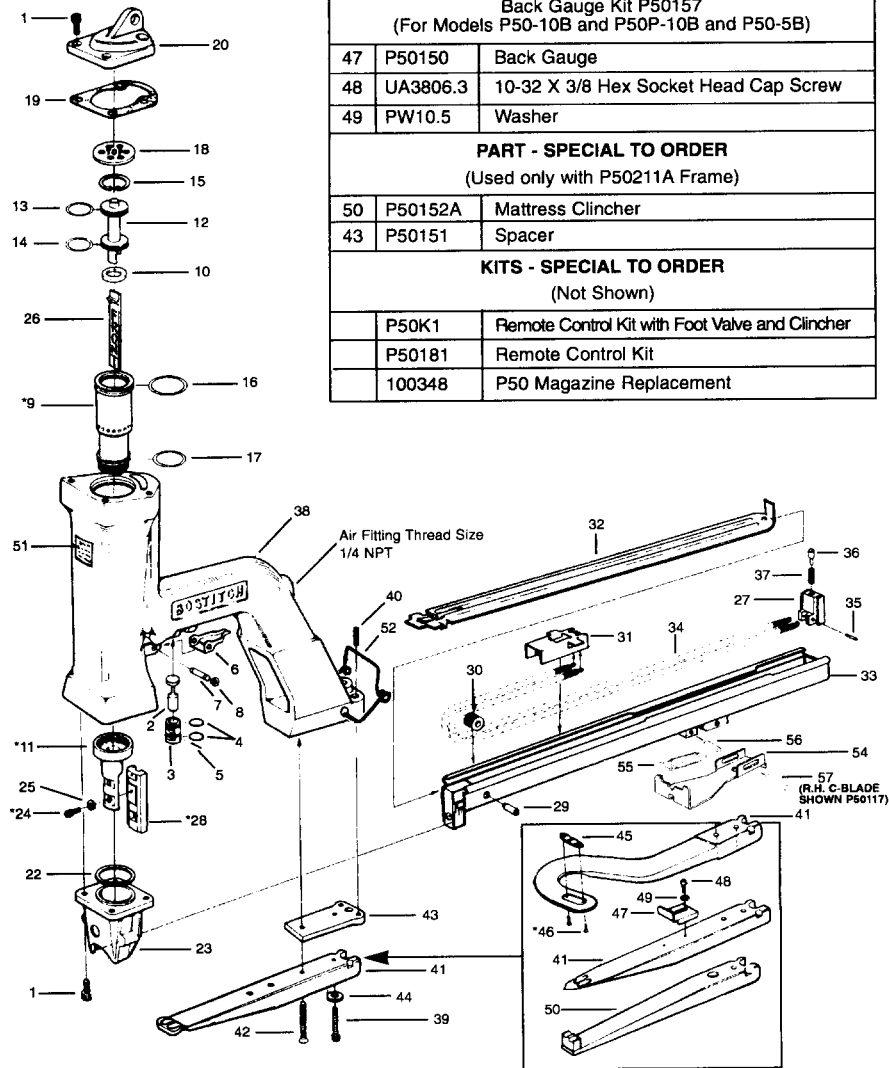


CAUTION: Items 12 and 26 must be assembled in direction shown. Retaining tooth on driver, and longest side of piston, must face front of tool. Do not rotate these parts.



PARTS SPECIAL TO "C" BLADE MODELS		
45	P50137	Clincher
46	UA1804.7	4-40 X 1/4 Hex Socket Flat Head Screw
KITS - SPECIAL TO ORDER		
Back Gauge Kit P50157 (For Models P50-10B and P50P-10B and P50-5B)		
47	P50150	Back Gauge
48	UA3806.3	10-32 X 3/8 Hex Socket Head Cap Screw
49	PW10.5	Washer
PART - SPECIAL TO ORDER		
(Used only with P50211A Frame)		
50	P50152A	Mattress Clincher
43	P50151	Spacer
KITS - SPECIAL TO ORDER		
(Not Shown)		
	P50K1	Remote Control Kit with Foot Valve and Clincher
	P50181	Remote Control Kit
	100348	P50 Magazine Replacement

* IMPORTANT: SEE SPECIAL MAINTENANCE INSTRUCTIONS, PAGE 6
 • NOTE: FOR SB1030203/8 STAPLES USE P50191 SHUTTLE

ITEM NO.	PART NO.	DESCRIPTION
1	UA3808.1	10-32 X 1/2 Hex Socket Head Cap Screw
2	P50115A	Stem
3	P50114	Barrel
4	86458	O-Ring
5	UB2112.2	Roll Pin 3/32 Diameter X 3/4
6	P50119	Trigger
7	P50129	Pin
8	85018	E-Ring
9	P50196	Shuttle Piston
10	P50108	Driver Piston Bumper
11	P50104	Sleeve
12	P50118	Driver Piston
13	87112	O-Ring
14	87137	O-Ring
15	87115	Internal Snap Ring
16	87113	O-Ring
17	850682	O-Ring
18	P50106	Piston Head Bumper
19	P50120	Gasket
20	P50102	Cap
22	P50107	Shuttle Piston Bumper
23	P50105	Guide
24	UA3804.6	10-32 X 1/4 Hex Socket Head Cap Screw
25	SW10E	#10 Lock Washer
27	P50167	Lock Pin Block
29	P50169	Spring Roll Pin
30	P50168	Spring Roll
31	P50172	Pusher
32	P50171A	Top Guide Assembly
34	P50177	Feed Spring
35	P50175	Feed Spring Pin
36	P50173	Lock Pin
37	P50174	Lock Pin Spring
51	851246	Warning Label
52	P50197	Spring, Magazine
53	P50210	Label, Caution-P50
54	P50217	Magazine Clamp
55	P50218	Spring
56	UB2808.1	Spring Pin 3/16 X 1/2 long
57	UB2112.2	Spring Pin 3/16 X 3/4 long

VARIABLE PARTS

MODEL NUMBER	ITEM NUMBER AND DESCRIPTION									
	26	28	33†	38	39	40	41	42	43	44
	DRIVER	SHUTTLE	CORE CASE ASSEMBLY	FRAME	SOC. CAP SCREW	SET SCREW	CLINCHER	FLT. HD. SCREW	SPACER	WASHER
P50-10B P50CL-10B P50CR-10B	P50121 " "	* P50186 • " • "	P50213A " "	P50211A P50212A "	UA4824.2 UA4812.1 "	UA4816.12 UA4808.4 "	P50116A P50138 P50117	UA5824.5 UA5816.7 "	P50151 " "	LW14 " "
P50-5B	P50187	* P50188	P50215A	P50211A	UA4824.2	UA4816.12	P50116A	UA5824.5	P50151	LW14
P50-5C	P50187	103507	104137	P50211A	UA4824.2	UA4816.12	P50116A	UA5824.5	P50151	LW14
P50-10C	P50121	P50191	P50214A	P50211A	UA4824.2	UA4816.12	P50116A	UA5824.5	P50151	LW14

*NOTE: FOR SB50193/8 STAPLES USE 103507 SHUTTLE

*NOTE: FOR SB1030203/8 STAPLES USE P50191 SHUTTLE

†NOTE: ITEM 33 CORE CASE ASSEMBLY DOES NOT INCLUDE ITEMS 27, 29-32, 34-37 OR 54-57.