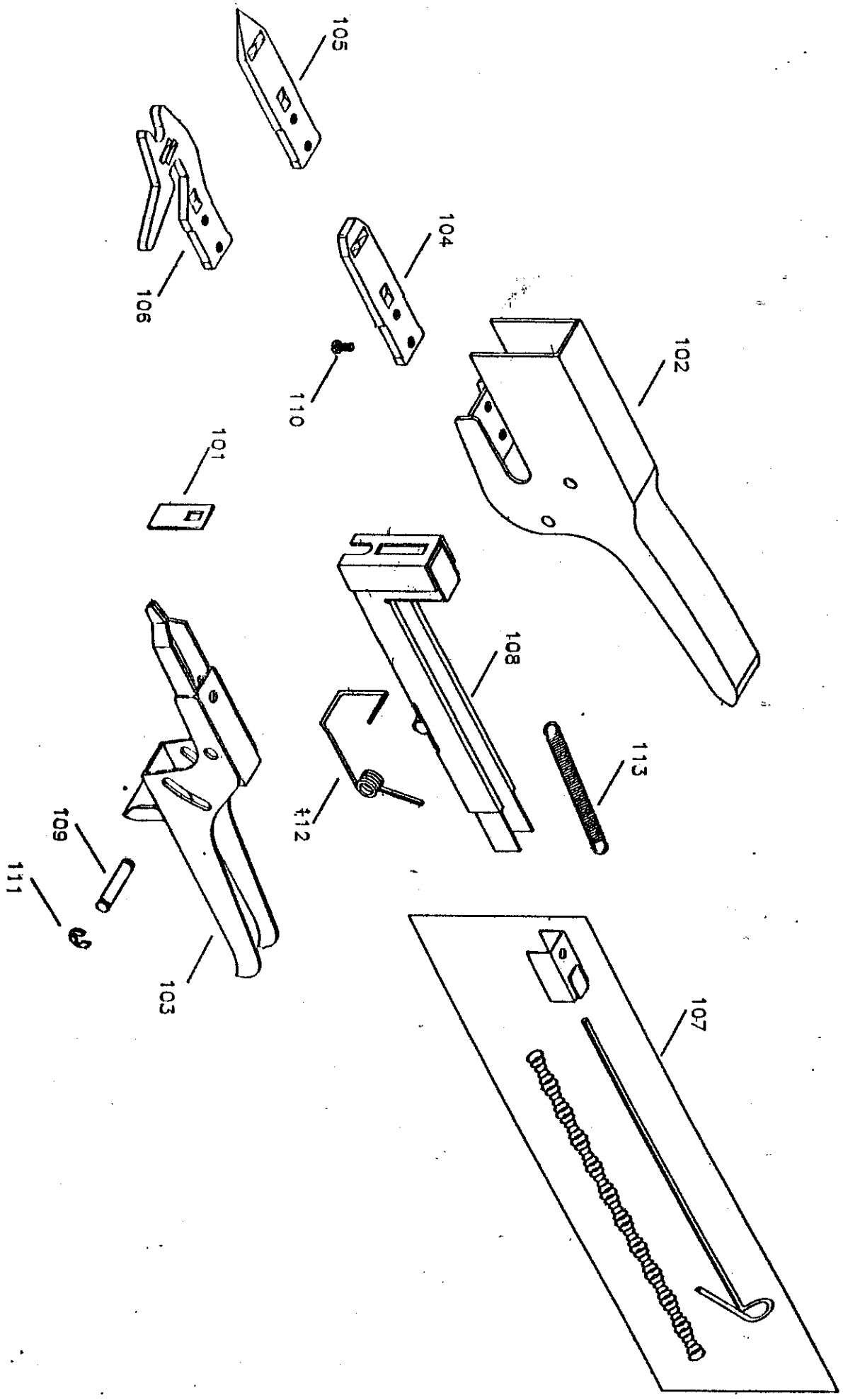


P 694.



Model : P 694

Item	Part No.	Description	Q
101	A03000101	PRIVER	
102	A03000201	BODY	
103	A03000301	HANDLE	
104	A03000401	I ANVIL	
105	A03000501	A ANVIL	
106	A03000601	F ANVIL	
107	A03000701	PUCHER UNIT	
108	A03000801	MAGAZINE	
109	A03000901	ROD	
110	A03001001	SCREW	
111	A03001101	E-RING	
112	A03001201	SPRING	
113	A03001301	SPRING	