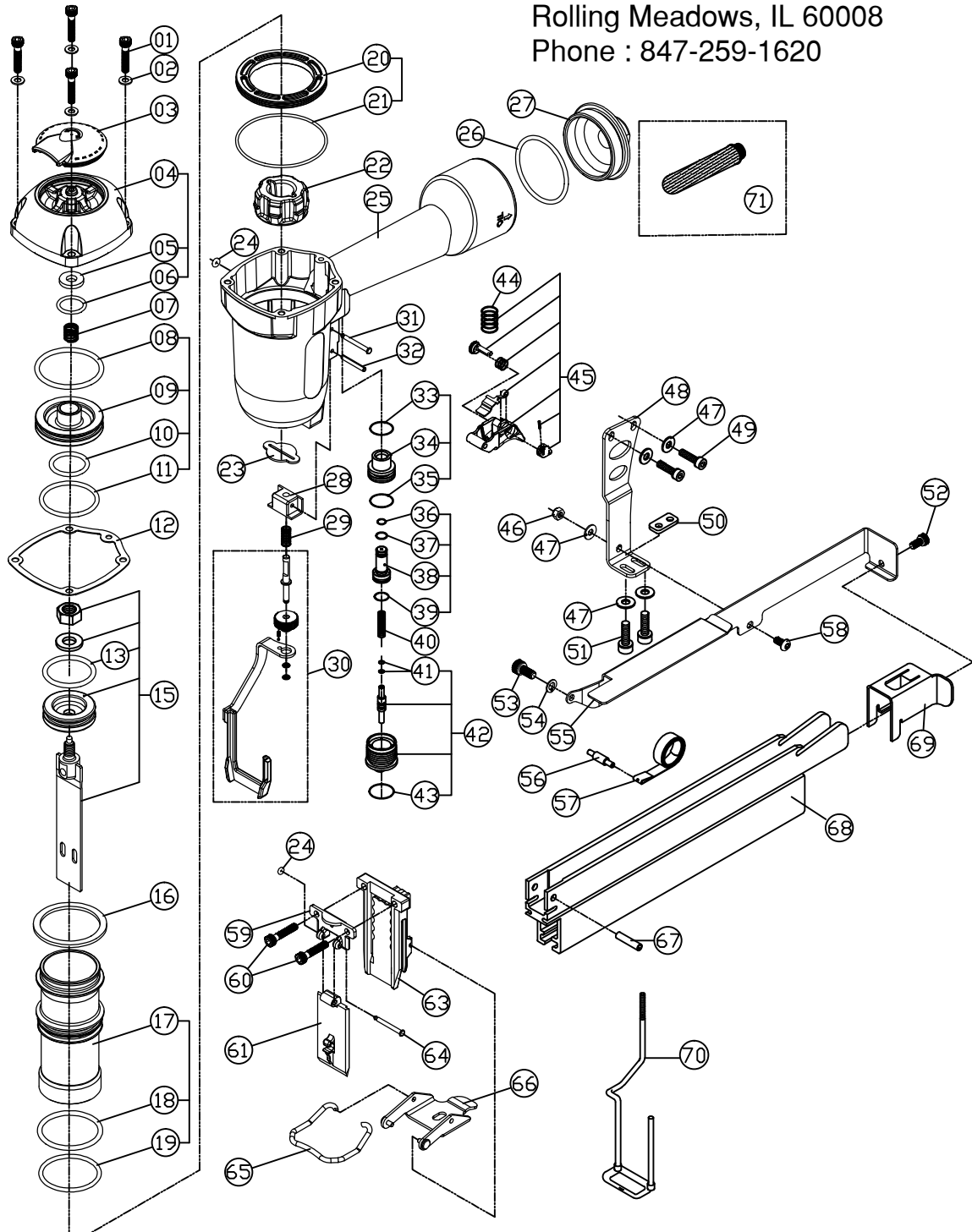


MODEL X1S3650

SPOTNAILS[®]
 DIVISION OF PEACE INDUSTRIES, LTD.
 1100 Hicks Rd
 Rolling Meadows, IL 60008
 Phone : 847-259-1620



4/14/2016

SPOTNAILS MODEL X1S3650					
Ref No.	Part No.	Description	Ref No.	Part No.	Description
01	P-24300	Cap Screw-4	◆	37	P-64335 O-Ring
02	P-32211	Flat Washer-4		38	P-22145 Pilot Valve
03	P-70058	Exhaust Deflector	◆	39	P-64336 O-Ring
04	P-60221	Cap		40	P-18227 Spring
◆	05	P-15187 Exhaust Seal	◆	41	P-64383 Plunger O-Rings-2
◆	06	P-64378 O-Ring		42	AS-22037 Plunger Assembly
07	P-18327	Poppet Spring	◆	43	P-64328 O-Ring
◆	08	P-64601 Poppet O-Ring		44	P-18267 Spring
09	P-63055	Poppet		45	AS-21031 Trigger Assembly (Blue)
◆	10	P-64379 Piston Stop o-Ring		46	P-26126 Nut
◆	11	P-64602 Cylinder Seal O-Ring		47	P-32170 Washer-5
◆	12	P-62094 Gasket		48	P-13133 Bracket
◆	13	P-64617 Piston O-Ring		49	P-24301 Screw-2
15	AS-06115	Piston & Driver Assembly		50	P-26159 Nut Plate
16	P-03125	Guide Spacer		51	P-24308 Screw-2
17	P-05131	Cylinder		52	P-24430 Screw
◆	18	P-64603 Cylinder O-Ring		53	P-24317 Screw
◆	19	P-64604 O-Ring		54	P-32229 Washer
20	P-03126	Cylinder Guide		55	P-12417 Magazine Cover
◆	21	P-64605 O-Ring		56	P-07335 Negator Spring Pin
22	P-15278	Bumper		57	P-18334 Negator Spring
23	P-15203	Return Seal		58	P-24434 Screw
◆	24	P-64240 O-Ring-2		59	P-10285 Stationary Front Plate
25	P-01308	Body		60	P-24358 Screw-2
26	P-64312	O-Ring		61	P-10291 Removable Front Plate
27	P-60156	End Cap		63	P-08522 Wear Plate
28	P-53165	Safety Guide		64	P-07357 Pin
29	P-18328	Spring		65	P-18333 Latch Spring
30	AS-53087	Safety Assembly		66	P-04062 Quick Clear Latch
31	P-07327	Trigger Pin		67	P-07334 Pin
32	P-07262	Pin		68	P-12426 Magazine
◆	33	P-64332 Valve Housing O-Ring		69	P-09188 Pusher
34	P-22144	Trigger Valve Cap		70	AS-53085 Lathing Safety (Optional)
◆	35	P-64333 O-Ring		71	P-97454 Filter (Optional)
◆	36	P-64334 O-Ring			
		◆	Parts Included In AS- 97403 O-Ring And Seal Kit		