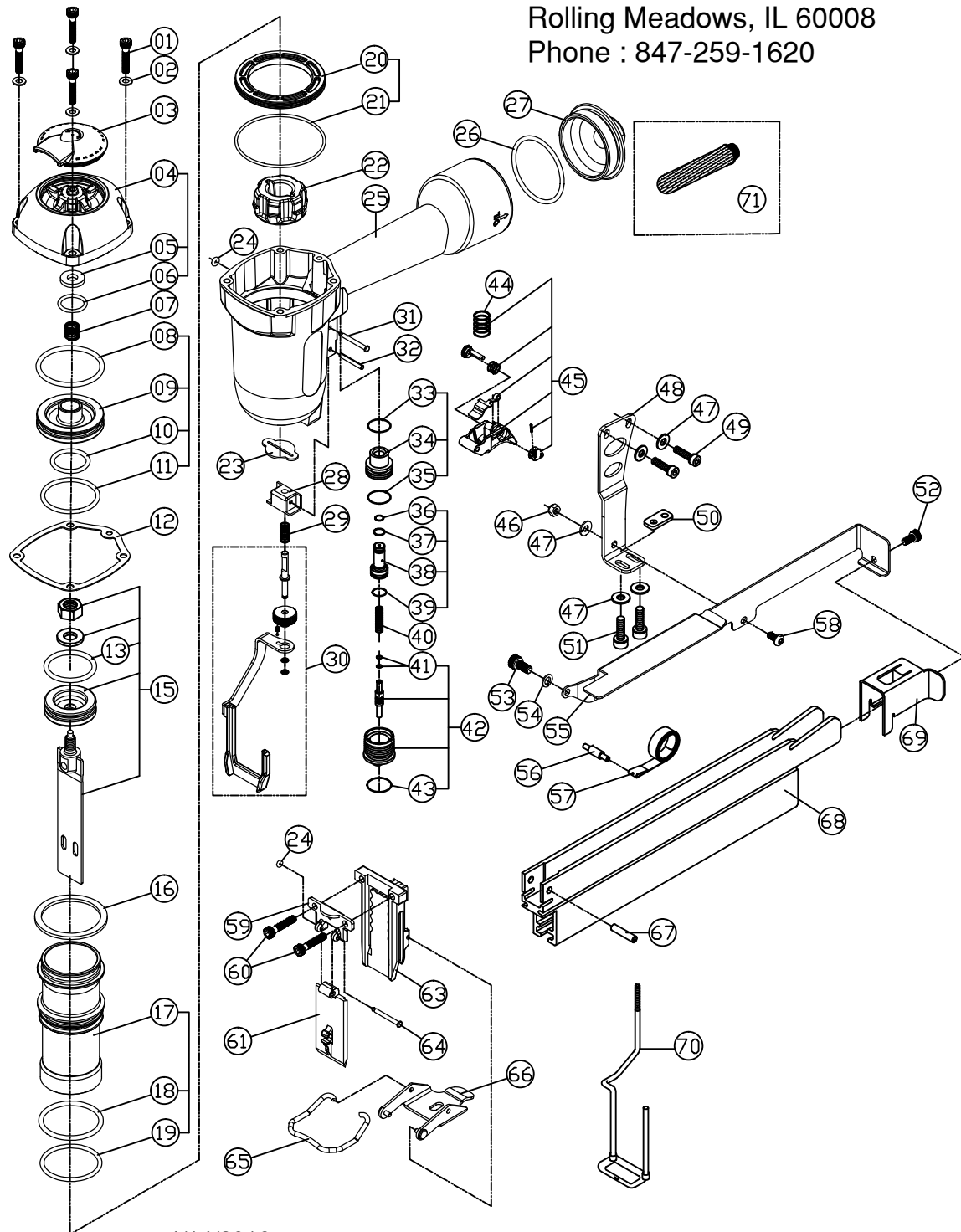


MODEL X1S2650

SPOTNAILS®
 DIVISION OF PEACE INDUSTRIES, LTD.
 1100 Hicks Rd
 Rolling Meadows, IL 60008
 Phone : 847-259-1620



4/14/2016

SPOTNAILS MODEL X1S2650

| Ref No. | Part No. | Description | Ref No. | Part No. | Description |
|---------|----------|--------------------------|---------|----------|---------------------------|
| 01 | P-24300 | Cap Screw-4 | 37 | P-64335 | O-Ring |
| 02 | P-32211 | Flat Washer-4 | 38 | P-22145 | Pilot Valve |
| 03 | P-70058 | Exhaust Deflector | 39 | P-64336 | O-Ring |
| 04 | P-60221 | Cap | 40 | P-18227 | Spring |
| 05 | P-15187 | Exhaust Seal | 41 | P-64383 | Plunger O-Rings-2 |
| 06 | P-64378 | O-Ring | 42 | AS-22037 | Plunger Assembly |
| 07 | P-18327 | Poppet Spring | 43 | P-64328 | O-Ring |
| 08 | P-64601 | Poppet O-Ring | 44 | P-18267 | Spring |
| 09 | P-63055 | Poppet | 45 | AS-21031 | Trigger Assembly (Blue) |
| 10 | P-64379 | Piston Stop o-Ring | 46 | P-26126 | Nut |
| 11 | P-64602 | Cylinder Seal O-Ring | 47 | P-32170 | Washer-5 |
| 12 | P-62094 | Gasket | 48 | P-13133 | Bracket |
| 13 | P-64617 | Piston O-Ring | 49 | P-24301 | Screw-2 |
| 15 | AS-06114 | Piston & Driver Assembly | 50 | P-26159 | Nut Plate |
| 16 | P-03125 | Guide Spacer | 51 | P-24308 | Screw-2 |
| 17 | P-05131 | Cylinder | 52 | P-24430 | Screw |
| 18 | P-64603 | Cylinder O-Ring | 53 | P-24317 | Screw |
| 19 | P-64604 | O-Ring | 54 | P-32229 | Washer |
| 20 | P-03126 | Cylinder Guide | 55 | P-12417 | Magazine Cover |
| 21 | P-64605 | O-Ring | 56 | P-07335 | Negator Spring Pin |
| 22 | P-15278 | Bumper | 57 | P-18334 | Negator Spring |
| 23 | P-15202 | Return Seal | 58 | P-24434 | Screw |
| 24 | P-64240 | O-Ring-2 | 59 | P-10285 | Stationary Front Plate |
| 25 | P-01308 | Body | 60 | P-24358 | Screw-2 |
| 26 | P-64312 | O-Ring | 61 | P-10290 | Removable Front Plate |
| 27 | P-60156 | End Cap | 63 | P-08520 | Wear Plate |
| 28 | P-53165 | Safety Guide | 64 | P-07357 | Pin |
| 29 | P-18328 | Spring | 65 | P-18333 | Latch Spring |
| 30 | AS-53087 | Safety Assembly | 66 | P-04062 | Quick Clear Latch |
| 31 | P-07327 | Trigger Pin | 67 | P-07334 | Pin |
| 32 | P-07262 | Pin | 68 | P-12425 | Magazine |
| 33 | P-64332 | Valve Housing O-Ring | 69 | P-09187 | Pusher |
| 34 | P-22144 | Trigger Valve Cap | 70 | AS-53085 | Lathing Safety (Optional) |
| 35 | P-64333 | O-Ring | 71 | P-97454 | Filter (Optional) |
| 36 | P-64334 | O-Ring | | | |

◆ Parts Included In AS- 97403 O-Ring And Seal Kit