

MODEL PS7116

SPOTNAILS

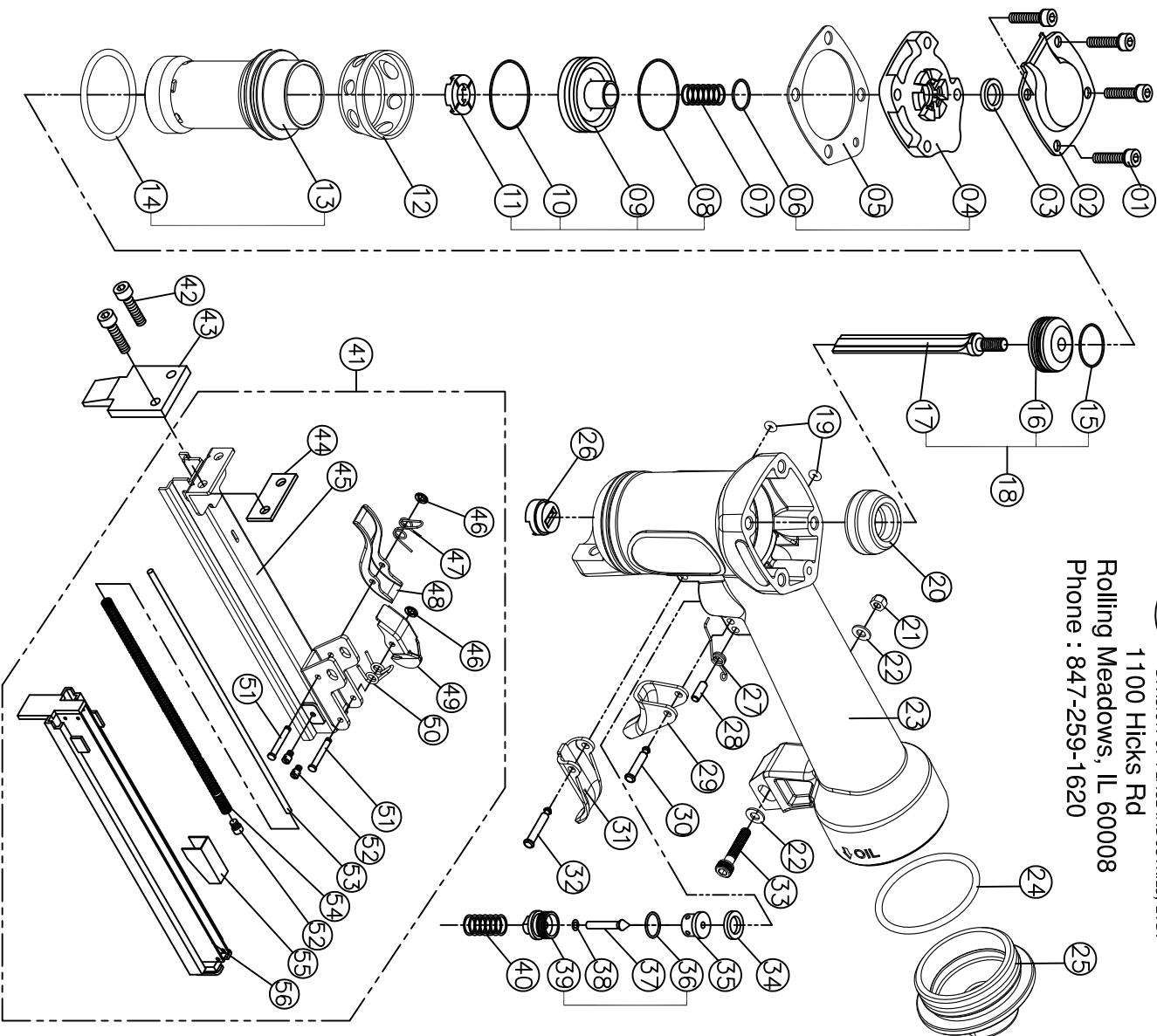
DIVISION OF PEACE INDUSTRIES, LTD.

1100 Hicks Rd

Rolling Meadows, IL 60008

Phone : 847-259-1620

SPOTNAILS MODEL PS7116



01	P-24300	HD. SCREW	30	P-07479	STEP PIN
02	P-70049	EXHAUST COVER	31	P-21087	TRIGGER
03	P-15222	EXHAUST SEAL	32	P-07480	STEP PIN
04	P-60188	BODY CAP	33	P-24358	HD. SCREW
05	P-62093	Gasket	34	P-15226	VALVE SEAL
06	P-64449	O-RING	35	P-22184	VALVE HOUSING
07	P-18469	SPRING	36	P-64456	O-RING
08	P-64450	O-RING	37	P-22185	TRIGGER PIN
09	P-63044	POPPET VALVE	38	P-64457	O-RING
10	P-64451	O-RING CYLINDER SEAL	39	P-22186	VALVE HOUSING
11	P-15223	PISTON STOP SEAL	40	P-18470	TRIGGER SPRING
12	P-03086	CYLINDER SPACER	41	AS-12205	MAGAZINE ASSEMBLY
13	P-05128	CYLINDER	42	P-24300	SCREW
14	P-64599	O-RING	43	P-10268	FRONT PLATE
15	P-64453	PISTON O-RING	44	P-03091	SPACER
16	P-66107	PISTON	45	P-12468	MAGAZINE COVER
17	P-06246	DRIVER BLADE	46	P-32143	E-WASHER
18	AS-06066	PISTON & DRIVER ASSEMBLY	47	P-18566	SPRING
19	P-64240	O-Ring	48	P-04099	LATCH ARM
20	P-15224	BUMPER	49	P-04100	LATCH
21	P-26142	Nut	50	P-18567	LATCH SPRING
22	P-32170	Washer	51	P-07260	PIN
23	P-01300	BODY	52	P-24357	SCREW
24	P-64425	O-Ring	53	P-16015	ROD
25	P-60175	End Cap	54	P-18335	PUSHER SPRING
26	P-15272	RETURN SEAL	55	P-09160	PUSHER
27	P-18565	SPRING	56	P-12469	MAGAZINE
28	P-07481	PIN			
29	P-21099	PRIMARY TRIGGER			

◆ Parts Included In AS-97388 O-Ring And Seal Kit